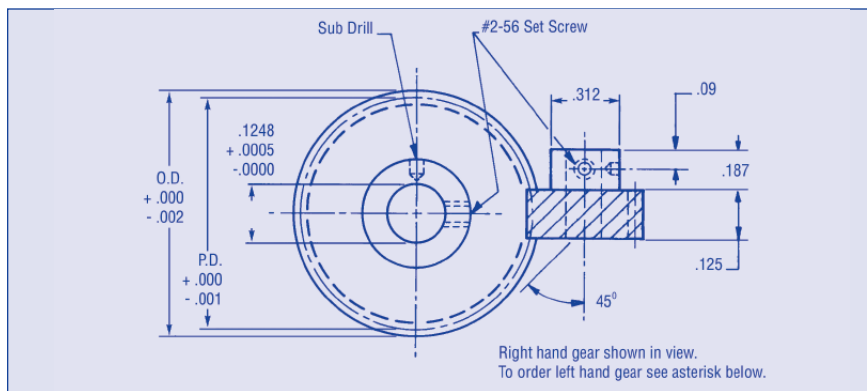


# HELICAL GEARS - 45° HELIX ANGLE

**64 NORMAL PITCH  
.125 FACE  
.1248 BORE**

20° PRESSURE ANGLE, AGMA Quality 10

RIGHT OR LEFT HAND



**Material:** 303 Stainless Steel  
2024-T4 Aluminum – Anodized before gear cutting.

**ORDER BY CATALOG NUMBER**

303 STAINLESS STEEL	2024 T4-ALUMINUM Anodized before cutting	GEAR DATA		
Right Hand * Catalog Number	Right Hand * Catalog Number	Number of Teeth	Pitch Diameter	Outside Diameter
LKS-F1-20	LKA-F1-20	20	.4419	.473
LKS-F1-25	LKA-F1-25	25	.5524	.583
LKS-F1-30	LKA-F1-30	30	.6629	.694
LKS-F1-35	LKA-F1-35	35	.7733	.804
LKS-F1-40	LKA-F1-40	40	.8838	.915
LKS-F1-45	LKA-F1-45	45	.9943	1.025
LKS-F1-50	LKA-F1-50	50	1.1048	1.136
LKS-F1-60	LKA-F1-60	60	1.3257	1.357
LKS-F1-70	LKA-F1-70	70	1.5466	1.577
LKS-F1-80	LKA-F1-80	80	1.7676	1.799
LKS-F1-90	LKA-F1-90	90	1.9886	2.020
LKS-F1-100	LKA-F1-100	100	2.2096	2.241

\*To order left hand type gears use – F2 in place of – F1 in catalog number.

**Example:** LKA-F2-20 = Left Hand (Aluminum)  
LKA-F1-20 = Right Hand (Aluminum)

For unlisted numbers of teeth, pitch, special blanks, material or helix angle, please inquire for price.